

Large capacity air pump

# HP-100 / 120 / 150 / 200



Pressure type

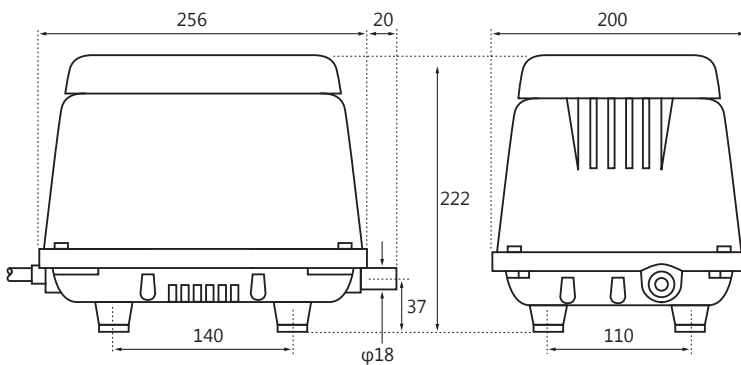
Outdoor (Rainproof) use

## Applications

- Septic tank (biological contact aeration)
- Air injection for bubble bath
- Small capacity compressor
- Oxygen supply for fish breeding

## Dimensions

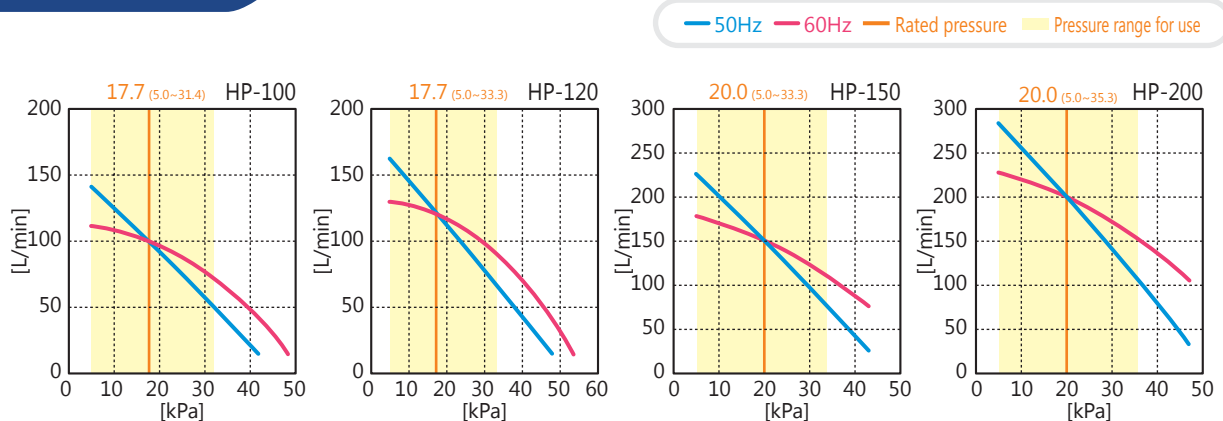
(unit : mm)



## Specifications

|                          | HP-100            |     | HP-120 |     | HP-150 |     | HP-200 |     |
|--------------------------|-------------------|-----|--------|-----|--------|-----|--------|-----|
| Rated voltage [ V ]      | AC100 / 120 / 230 |     |        |     |        |     |        |     |
| Power frequency [ Hz ]   | 50                | 60  | 50     | 60  | 50     | 60  | 50     | 60  |
| Rated pressure [ kPa ]   | 17.7              |     |        |     | 20     |     |        |     |
| Airflow volume [ L/min ] | 100               |     | 120    |     | 150    |     | 200    |     |
| Power consumption [ W ]  | 95                | 100 | 115    | 125 | 125    | 155 | 210    | 250 |
| Sound level [ dBA ]      | 38                |     | 40     |     | 45     |     | 48     |     |
| Weight [ kg ]            | 8.5               |     |        |     | 9      |     |        |     |

## Performance Curve



\* All characteristics values are only for reference, and are not guaranteed values.  
\* Note that the operating temperature for our pumps is 41°F(5°C) to 104°F(40°C).